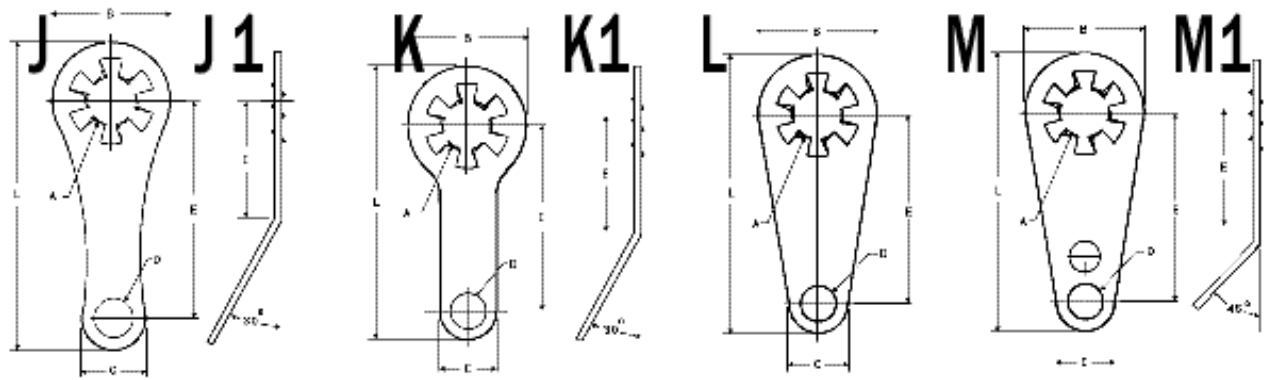


Internal Tooth Solder Lugs



PART NO.	ILLUS	STUD SIZE	LENGTH	THKNS.	O.D.	WIDTH	HOLE	CNTR	
		A	L		B	C	D	E	
1410-4	J	#4	7/8	.018	5/16	11/64	3/32	5/8	
1410-6	J	#6		.018	5/16	11/64		5/8	
1410-8	J	#8		.018	5/16	11/64		5/8	
1410-10	J	#10	57/64	.018	11/32	11/64		5/8	
1410-14	J	1/4	13/16	.018	7/16	3/16		1/2	
1414-4	J1	#4		.018	5/16	11/64		17/64	
1414-6	J1	#6		.018	5/16	11/64		17/64	
1414-8	J1	#8		.018	5/16	11/64		17/64	
1414-10	J1	#10	53/64	.018	11/32	11/64		17/64	
1411-4	K	#4	47/64	.018	5/16	5/32		17/32	
1411-6	K	#6		.018		5/32	17/32		
1411-8	K	#8		.018		5/32	17/32		
1415-4	K1	#4	23/32	.018		5/32	7/32		
1415-6	K1	#6		.018		5/32	7/32		
1415-8	K1	#8		.018		5/32	7/32		
1412-4	L	#4	5/8	.018		5/16	3/16	3/8	
1412-4	L	#6		.018				3/8	
1412-8	L	#8		.018				3/8	
1413-4	M	#4	23/32	.018				5/16	3/16
1413-6	M	#6		.018	15/32				
1413-8	M	#8		.018	15/32				
1416-4	M1	#4	41/64	.018	5/16	3/16	1/4		
1416-6	M1	#6		.018					
1416-8	M1	#8		.018					

- [Home](#)
- [About](#)
- [Abbatron](#)
- [Products](#)
- [Locate Distributor or Representative](#)
- [Contact Us](#)
- [Request Information](#)
- [Site Map](#)

Inventory Search

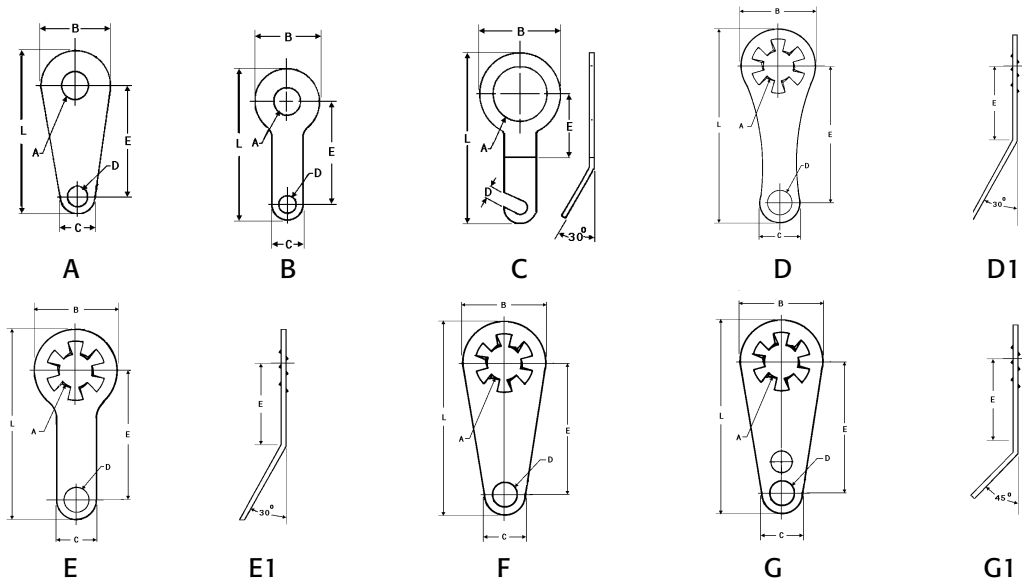
Cross Reference

UPS Tracking

632 Arch Street, POB
726 Meadville, PA
16335 USA
814-724-6440
[Contact Webmaster](#)
© 2006

[home](#) | [about abbatron](#) | [products](#) | [locate distributor or representative](#) | [contact us](#) | [request information](#) | [site map](#)

Solder Lugs



- Made of brass material.
- Tin finish
- Bent lugs have the same configuration as the flat lug shown in the adjacent drawing, with the bend details as shown.

PART NO.	ILLUS	STUD SIZE	LENGTH	THKNS.	O.D.	WIDTH	HOLE	CNTR
		A	L		B	C	D	E
1485-6	A	#6	9/16	.010	9/16	3/16	1/16	5/16
1485-8		#8						
1485-10		#10						
1497	B	3/8	25/64	.016	7/8	7/32	5/64	1/2
1488-4		#4	9/16	.010	1/4	5/32	1/16	23/64
1488-6		#6						
1488-8	#8	25/32	.020	5/16	3/16	3/32	5/16	
1496	1/4			3/8	5/32	1/16	19/64	
1410-4	D	#4	7/8	.018	5/16	11/64	3/32	5/8
1410-6		#6						
1410-8		#8						
1410-10		#10	57/64		11/32	3/16	1/2	
1410-14		1/4	7/16					
1414-4	D1	#4	13/16	.018	5/16	11/64	3/32	17/64
1414-6		#6						
1414-8		#8						
1414-10		#10						
1411-4	E	#4	47/64	.018	5/32	3/32	3/32	17/32
1411-6		#6						
1411-8		#8						
1415-4	E1	#4	23/32	.018	5/32	3/32	3/32	7/32
1415-6		#6						
1415-8		#8						
1412-4	F	#4	5/8	.018	5/16	3/16	3/32	3/8
1412-6		#6						
1412-8		#8						
1413-4	G	#4	23/32	.018	5/16	3/16	3/32	15/32
1413-6		#6						
1413-8		#8						
1416-4	G1	#4	41/64	.018	5/16	3/16	3/32	1/4
1416-6		#6						
1416-8		#8						

Solder Lugs